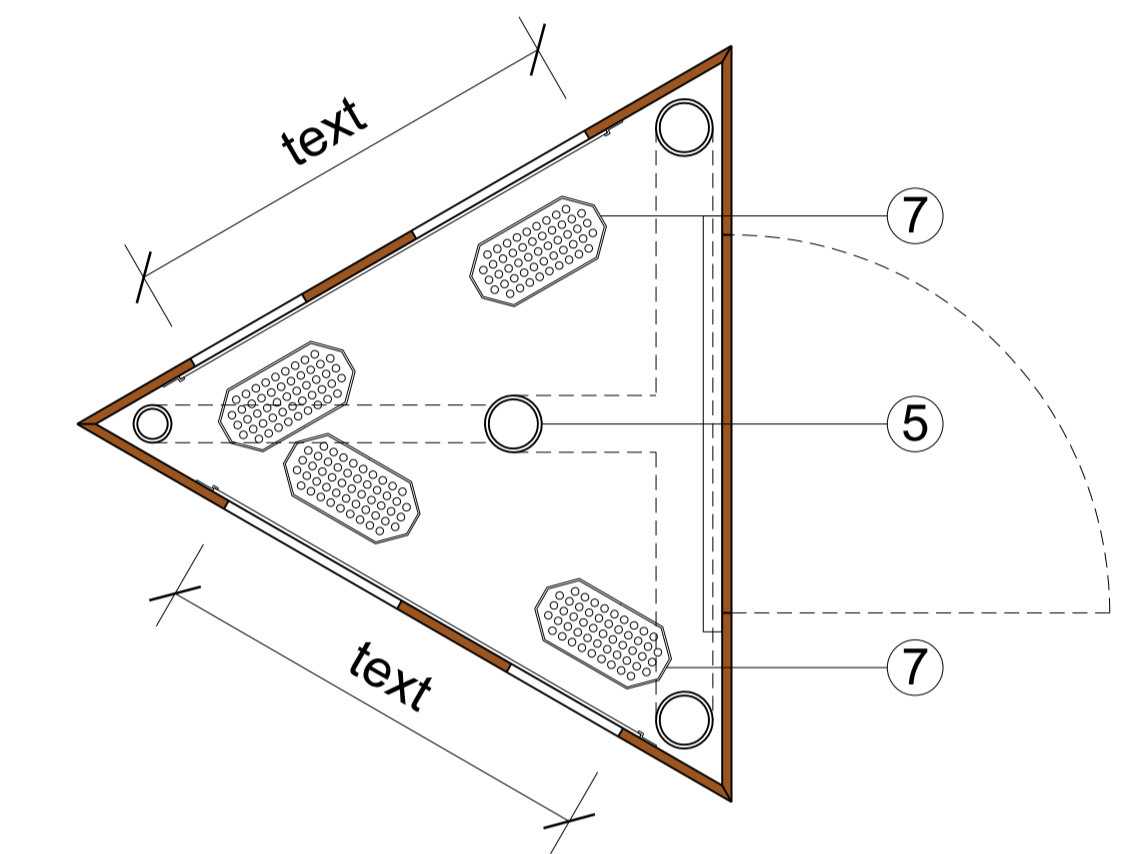
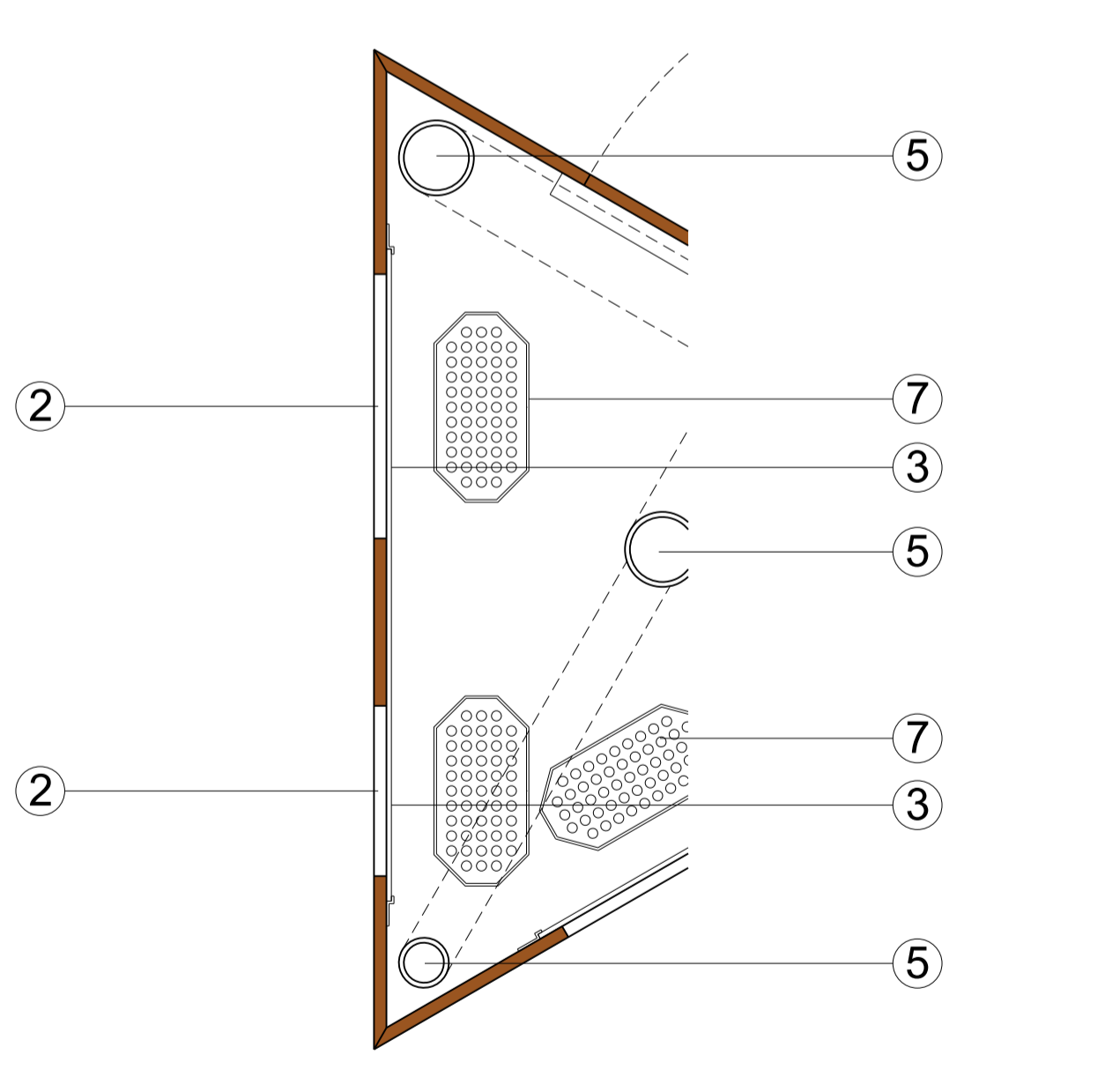


Roof Plan



Plan



Part Plan Detail (nts)

NOTE
 1. THIS DRAWING IS COPYRIGHT GSDA LTD.
 2. THE CONTRACTOR MUST NOT SCALE FROM THE DRAWING ALL DIMENSIONS TO BE TAKEN FROM DIMENSION STRINGS.
 3. WHERE ANY DISCREPANCIES ARE FOUND BETWEEN DIMENSIONS THESE MUST BE BROUGHT TO THE ATTENTION OF THE ARCHITECT'S FOR RESOLUTION.
 4. WHERE DISCREPANCIES EXIST BETWEEN REFERENCE OR ASSEMBLY DRAWINGS & DETAIL DRAWINGS, THE LATTER TAKE PREFERENCE.

LEGEND All materials, finishes and colours will be as stated or similar approved.

- ① COR-TEN steel sign cladding. Color: COR-TEN steel.
- ② Translucent panel. Color: Opaque white.
- ③ LED spot lights.
- ④ COR-TEN steel roof.
- ⑤ Galvanized steel frame to specialist subcontractors design. Finish: designed so that it does not impact on the sign letters / text.
- ⑥ Stone upstand. Color: Grey.
- ⑦ Initial wall/iron cavity to provide continuous drainage to gutters. Finish: as per details.
- ⑧ Hinged, lockable COR-TEN steel door to top of sign. Color: COR-TEN steel.
- ⑨ Concrete foundation to Structural Engineers design.
- ⑩ Form silicone sealed joint. Color: Grey.
- ⑪ COR-TEN roof sheet (please contact local COR-TEN steel distributor).
- ⑫ NB - Design to be developed by Specialist Signage Subcontractor. Structural integrity to be checked by SL.

PROJECT		Grangetown Energy Recovery Facility	
DRAWING		Entrance Sign - Illuminated Text	
FOR PLANNING		21/11/23	Preliminary Issue
1:20@A1	23/03/31	23/03/31	Issued for Discharge of Reserved Matters
SCALE	DATE	DATE	
1425_PL330	-	-	
DWG. NO.	REVISION		

